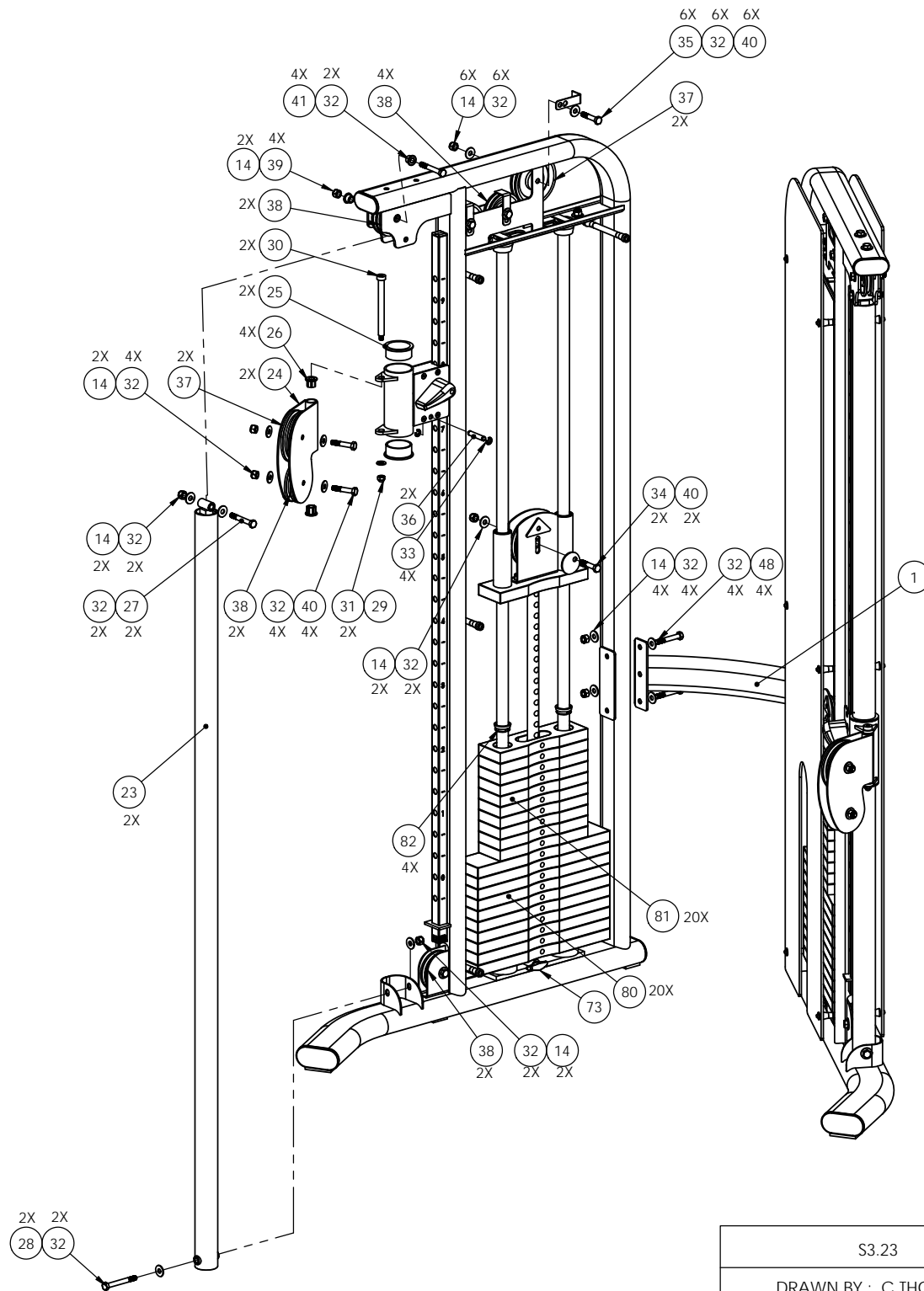
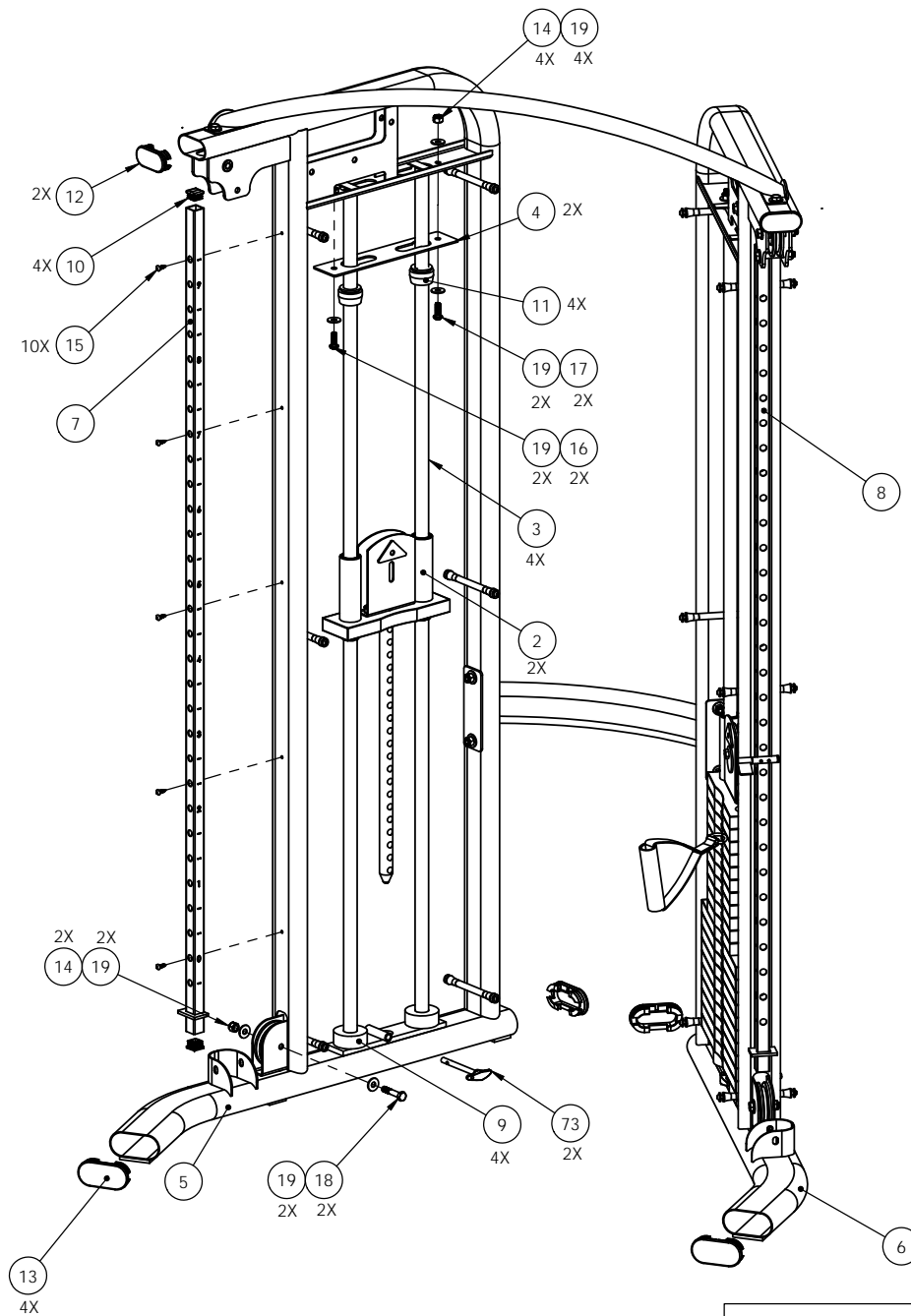


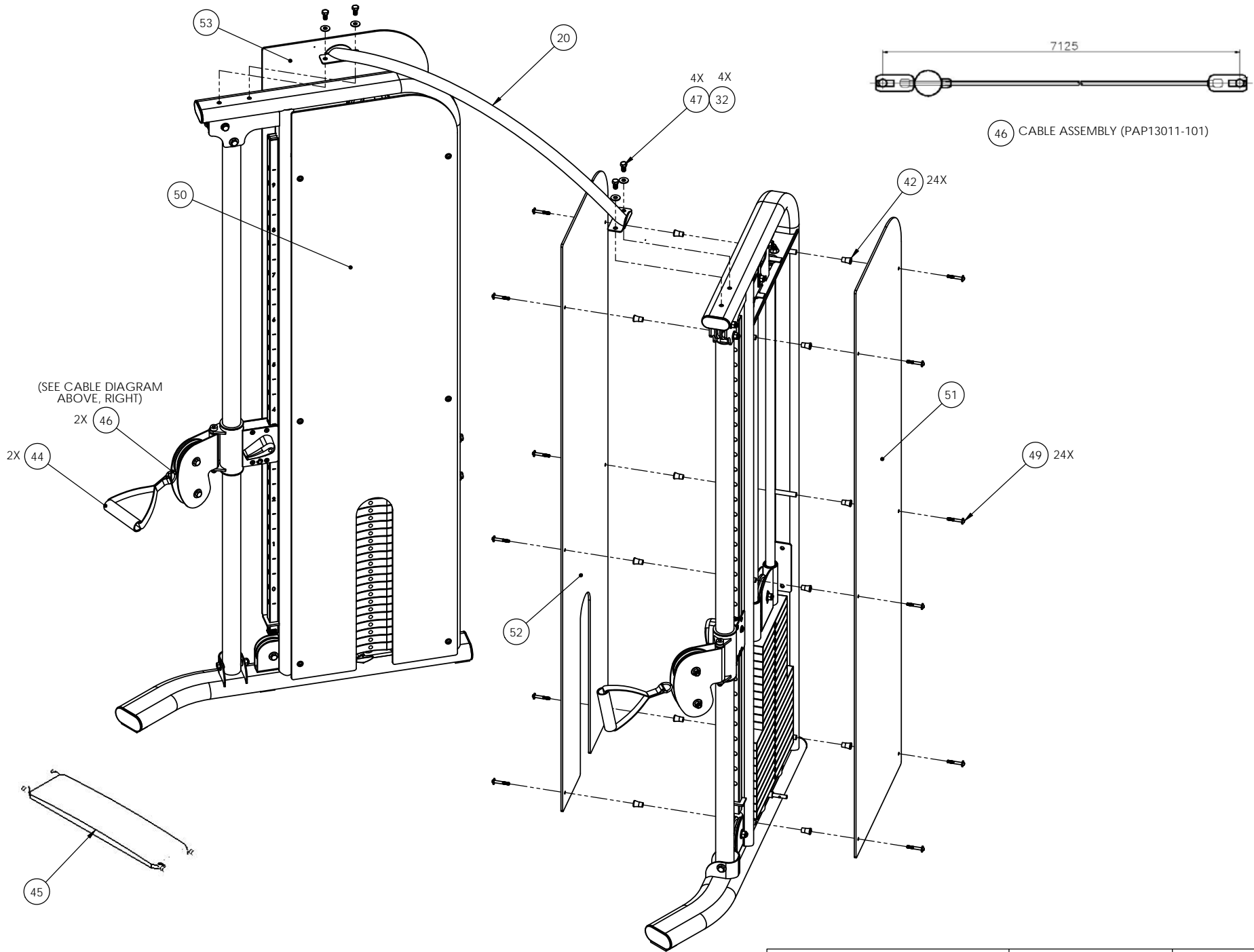
S3.23	P/N : 48943-101	SUBREV : G
DRAWN BY : C THOMSON	DATE : 24 FEB 2009	SHEET 1 OF 5



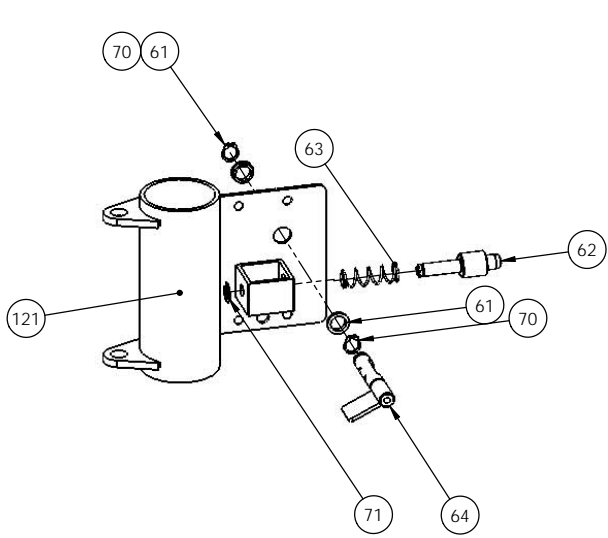
S3.23	P/N : 48943-101	SUBREV : G
DRAWN BY : C THOMSON	DATE : 24 FEB 2009	SHEET 2 OF 5



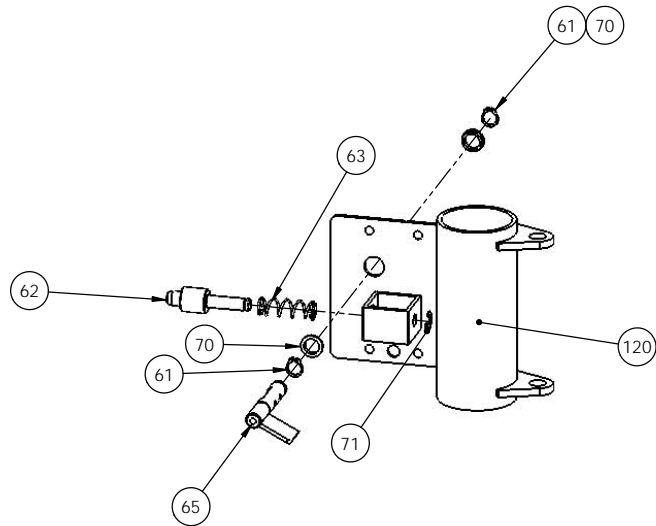
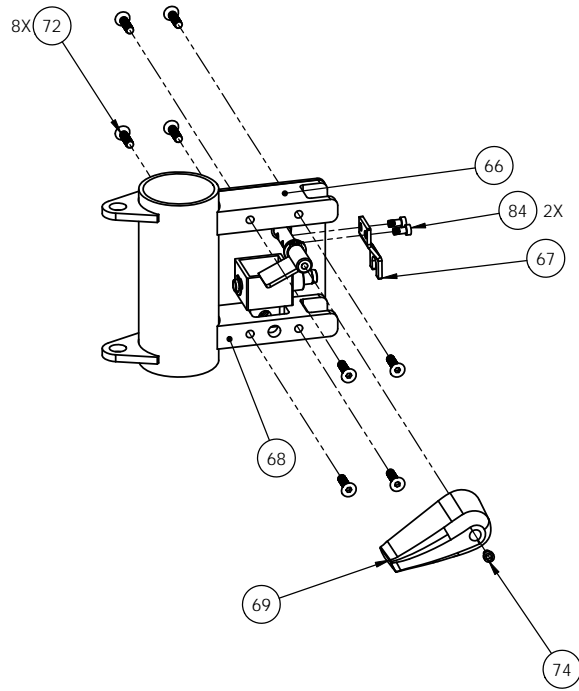
S3.23	P/N : 48943-101	SUBREV : G
DRAWN BY : C THOMSON	DATE : 24 FEB 2009	SHEET 3 OF 5



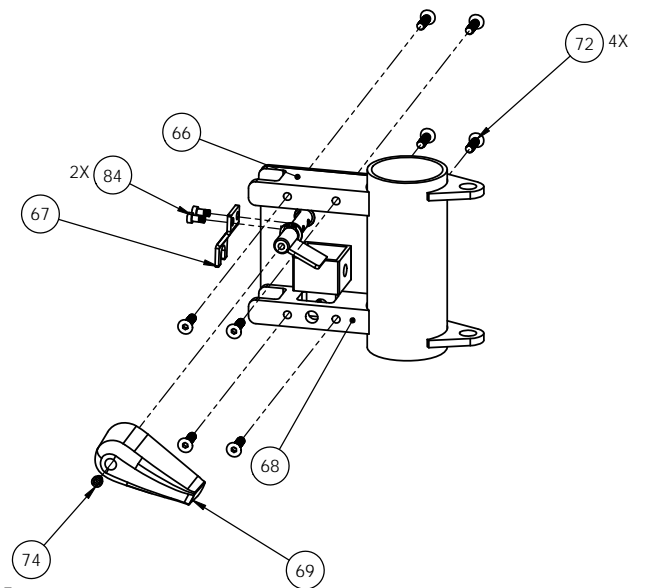
S3.23	P/N : 48943-101	SUBREV : G
DRAWN BY : C THOMSON	DATE : 24 FEB 2009	SHEET 4 OF 5



ASSEMBLY GUIDE
RIGHT



ASSEMBLY GUIDE
LEFT



S3.23	P/N : 48943-101	SUBREV : G
DRAWN BY : C THOMSON	DATE : 24 FEB 2009	SHEET 5 OF 5

Bubble #	OEM Number	Description
1	PPP0000AP040881111	WELDMENT, BOTTOM
3	PPP0000AP011225901	GUIDE ROD, WEIGHT STACK
4	PPP0000AP021114131	PLATE, WEIGHT STACK GUIDE
5	PPP0000AP040879114	WELDMENT, VERTICAL FRAME RIGHT
6	PPP0000AP040880114	WELDMENT, VERTICAL FRAME LEFT
7	PPP0000AP040883901	COUNTER WELDMENT RIGHT
8	PPP0000AP040894901	COUNTER WELDMENT LEFT
9	PPP0000AP060073101	STOP BLOCK
10	PPP0000AP060084101	END CUP
11	PPP0000AP060323101	RUBBER BUMPER, WEIGHT STACK
12	PPP0000AP060328101	PLASTIC OVAL END CUP
13	PPP0000AP060329101	PLASTIC OVAL END CUP, 50MM
15	PPP0000AP050613101	SCREW, BTTNHD, M6X1.0X11MM
16	PPP0000TAKN038075	BHCS,3/8-16 X .75,STL,BLK ZN
17	PPP0000TAKN038100	BHCS,3/8-16 X 1.00,STL,BLK ZN
19	PPP0000WKKN010002	WASHER, FLAT, 10MMX25MMX2MM
20	PPP0000AP040882132	WELDMENT, LATERAL BAR
23	PPP0000AP040884901	WELDMENT, SLIDER GUIDE TUBE
24	PPP0000AP040886132	WELDMENT, DOUBLE PULLEY BRACKET
25	PPP0000AP060322101	BUSHING, SLIDER
26	PPP0000AP080061101	FLANGE BEARING
27	PPP0000HCKN038275	SCREW,HEX, GR5,3/8-16X2 3/4,BLK ZN
28	PPP0000HCKN038325	SCREW,HEX,GR5,3/8-16X3 1/4,BLK ZN
29	PPP0000KADKN038051	NUT,ACORN,3/8-16
30	PPP0000RAKN050525	SCREW,SHOULDER,SOCKET HD,1/2 X 5.25
31	PPP0000WALKN038009	WASHER, 3/8 SPLIT LOCK, BLK ZINC
32	PPP0000WKKN010002	WASHER, FLAT, 10MMX25MMX2MM
34	PPP0000AP020595131	CAM WASHER
35	PPP0000AP021115131	CABLE CLIP
36	PPP0000AP030531901	SHAFT, CABLE
37	PPP0000AP060035101	4.5 in. DIA PULLEY
38	PPP0000AP060051101	3.5 in. DIA PULLEY
39	PPP0000AP080113101	STEP SPACER
40	PPP0000HCKN038200	SCREW,HEX,GR5,3/8-16X2, BLK ZN
41	PPP0000HCKN038281	SCREW,HEX, GR5,3/8-16X2 13/16,BLK Z
42	PPP0000AP060327101	SHROUD MOUNT SPACER
45	PPP0000AP120118101	ANKLE/FOOT STRAP
46	PPP0000AP130111102	CABLE ASSEMBLY, 3.23
47	PPP0000HCKN038075	SCREW,HEX,GR5,3/8-16X3/4,BLK ZN
48	PPP0000HCKN038250	SCREW,HEX,GR5,3/8-16X2 1/2,BLK ZN
49	PPP0000THMN025175	SCREW,BTHD W/WASHER,1/4-20X.175,ZN(
60	PPP0000AP040885132	WELDMENT, GUIDE ASSEMBLY
61	PPP0000AP060324101	PLASTIC BUSHING, HANDLE
62	PPP0000AP050268902	RELEASE PIN
63	PPP0000AP050011101	SPRING
64	PPP0000AP040887901	HANDLE PIN WELDMENT RIGHT

65	PPP0000AP040895901	HANDLE PIN WELDMENT LEFT
66	PPP0000AP060316102	WEARPAD, SELECTOR
67	PPP0000AP021116902	BRACKET PIN FORK
68	PPP0000AP060317102	WEARPAD, SELECTOR BOTTOM
69	PPP0000AP060318101	HANDLE
70	PPP00000ABKN012001	RING, RETAINER, EXTERNAL, 12MM, BLK
71	PPP00000AKCN009001	E-RING,EXTERNAL, METRIC 9MM X .9MM
72	PPP0000MACCN025075	MACHINE SCREW, 1/4-20, FLAT HEAD,
73	PPP0000AP110047102	SELECT PIN (BLACK)
74	PPP00000CEJN005010	SCREW, SOC HD CAP, M8 X 0.8 X 10L,
76	PPP000000010186117	WRENCH, ALLEN 5MM
84	PPP00000TEMN005010	SCREW,BTTNHD,M5X.8X10MM,(MECH PLTG)
85	PPP0000AP100100103	LABEL, WEIGHT PLATES, TRANSPARENT
120	PPP0000AP000187101	ASSEMBLY SLIDER LEFT
121	PPP0000AP000185101	ASSEMBLY SLIDER RIGHT
200	PPP000000049731101	HARDWARE KIT, S3.23
900	PPP000000048607106	LITERATURE KIT,S3.23
901	PPP000000049057101	DVD, INSTRUCTIONAL DVD, CONSUMER FT